

THE TYPHON

GROUP 15 ALINA KOZINDA BRIAN MALIN POMPILIO COTO EDUARDO BELTRAN PEDRO PORRO MATTHEW MORRIS

Features

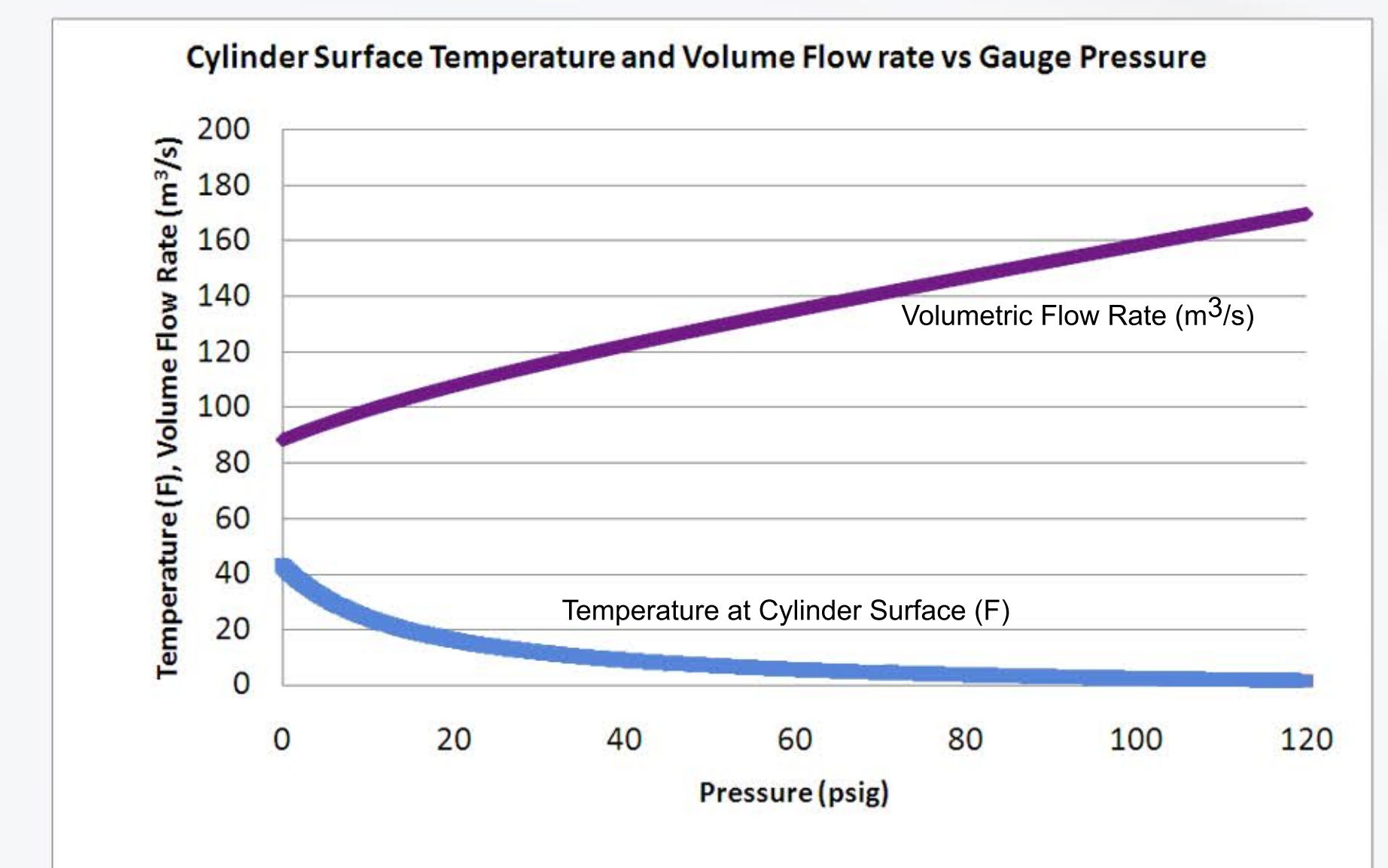
- Rechargeable, cordless pump with digital tire gauge allows you to dial in the pressure you want
- Extra powerful motor provides up to 120 psig
- Pivoting head, and suede-like surface finish for a more comfortable grip
- Fills up to ten bike tires on one charge
- Detachable battery pack, so you can bring extra batteries
- Battery meter included
- Adapters for Presta valves, Schrader valves, and sport balls
- Includes built in CO₂ cartridge port
- Portable, convenient, and easy to use
- Battery pack and AC wall charger included

How it Works

1. Select desired nozzle adapter and insert into nozzle
2. Attach nozzle to the tire valve / ball opening
3. Dial in the desired pressure

Safety

- Built-in cooling fan helps prevent piston-cylinder assembly from overheating
- Tire gauge automatically shuts off compressor to prevent over-inflation
- Insulated wires

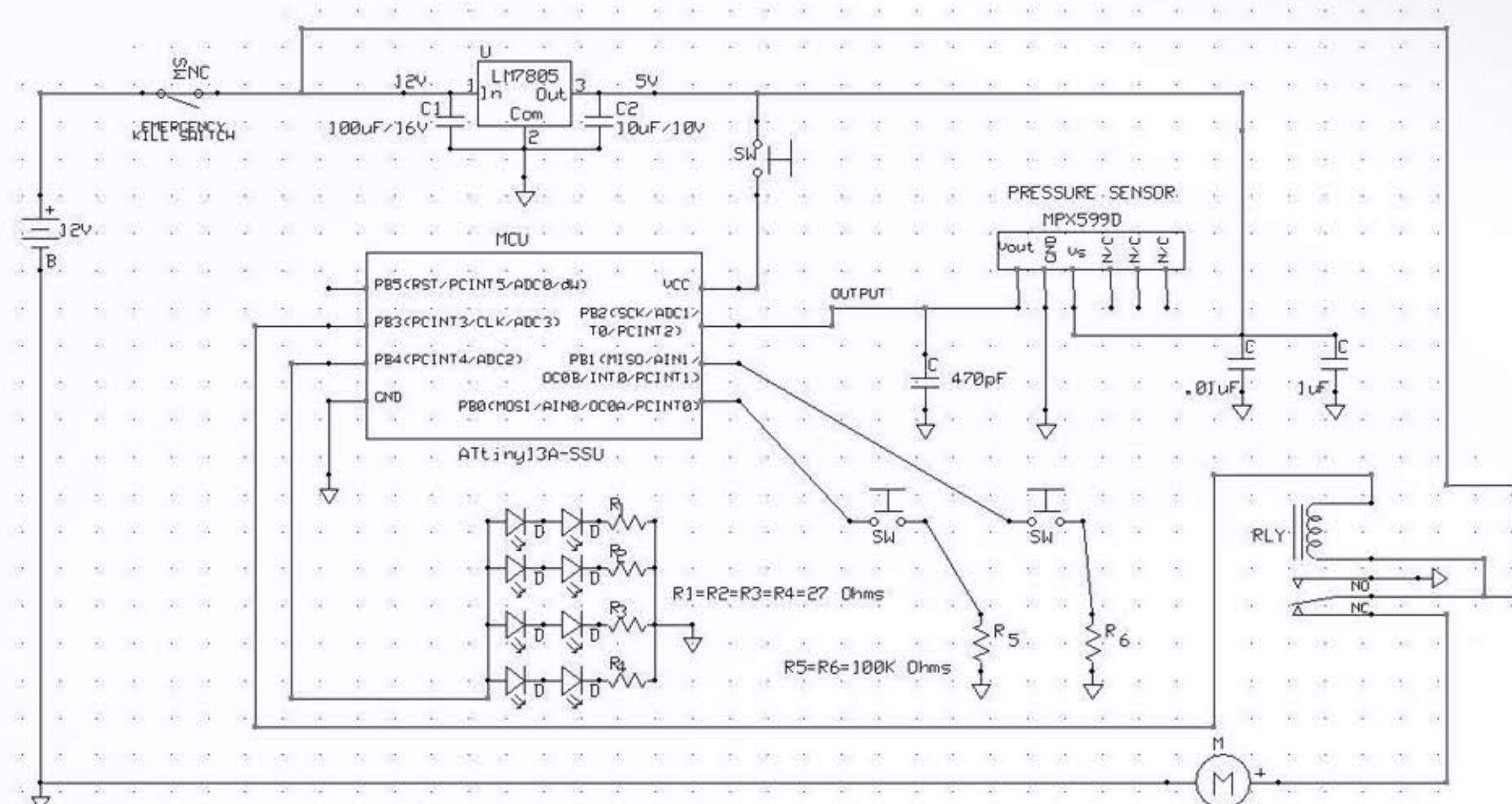


LCD SCREEN WITH BUTTON INPUTS



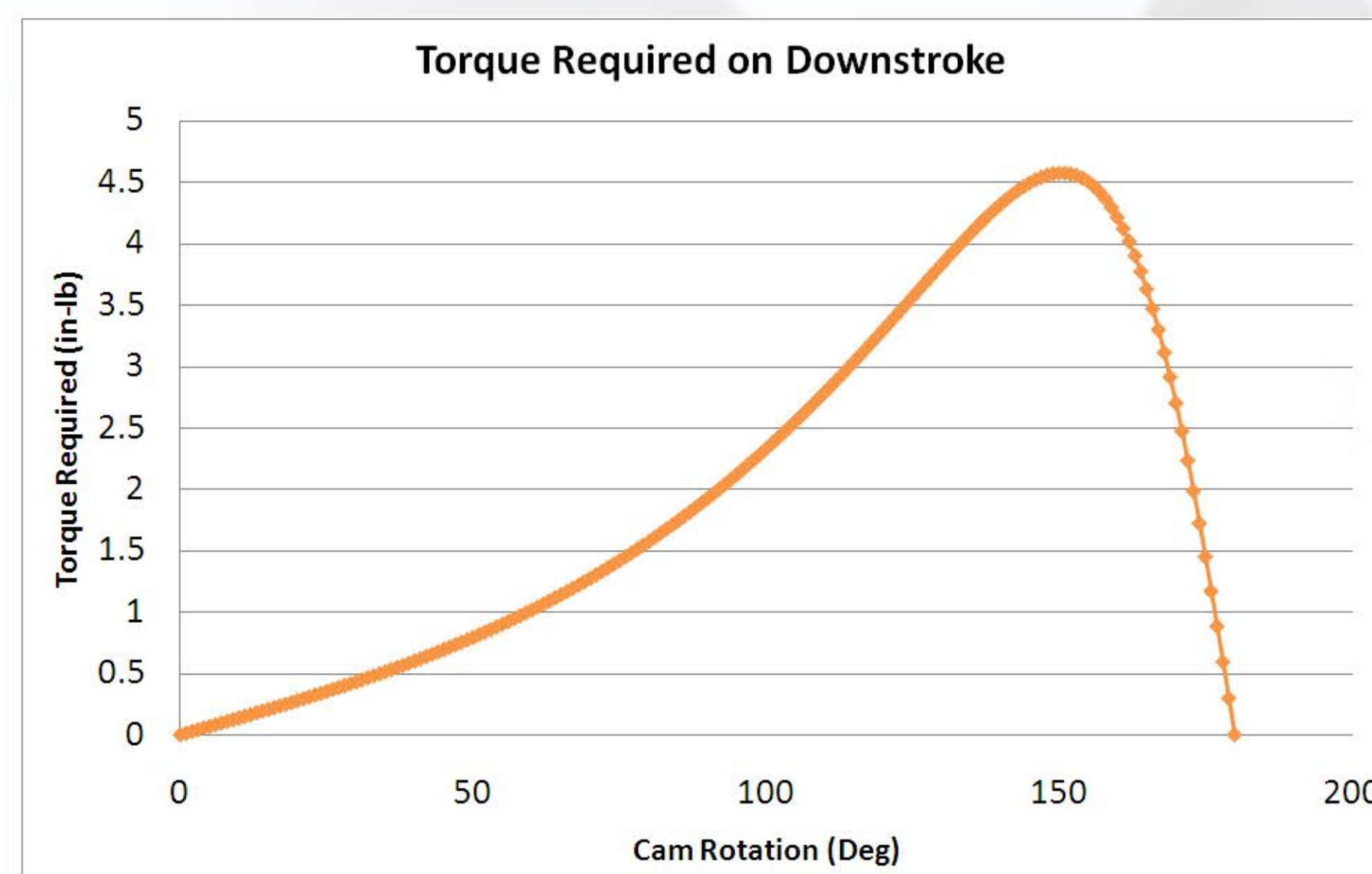
BATTERY-LIFE INDICATOR

ELECTRICAL DIAGRAM



Run Times

- Time to inflate a mountain bike tire to 60 psig: 104.45 s
- Time to inflate a road bike tire to 120 psig: 62.90 s
- Time to inflate one soccer ball to 12 psig: 7.76 s



Total Cost per Unit: \$36.76

This ensures the product will be competitive below the \$80 retail range

Materials

Main Materials Material

Casing	HDPE
Heat Sink	Zinc Aluminum Alloy
Piston	Zinc Aluminum Alloy
Piston Tube	Stainless Steel
Pinion	Stainless Steel
Gear	Nylon

